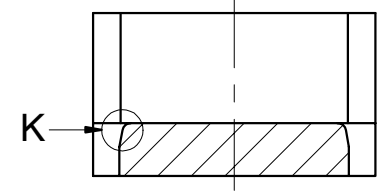
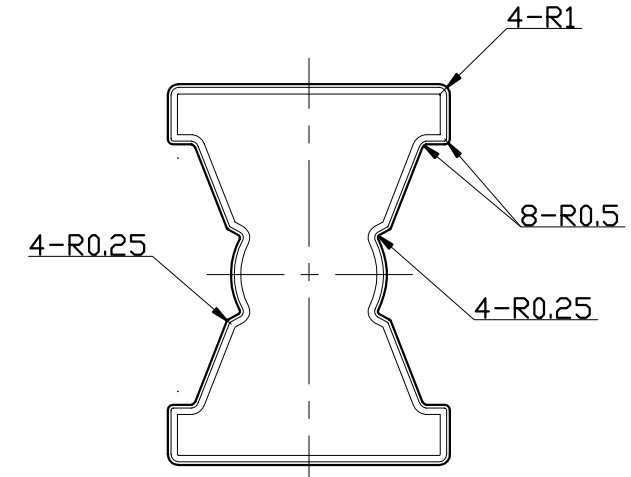
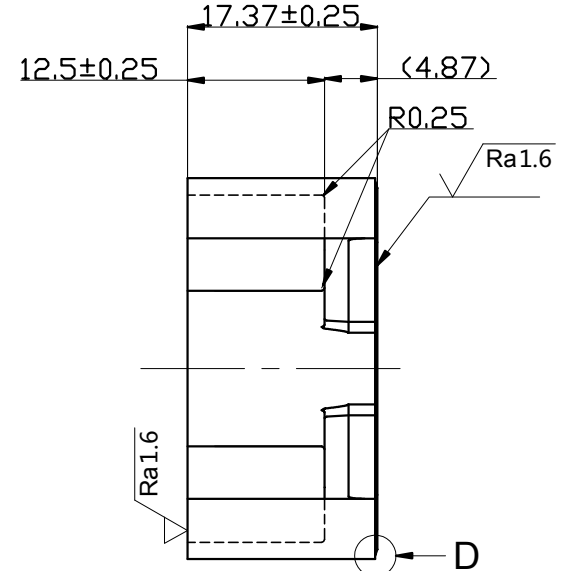
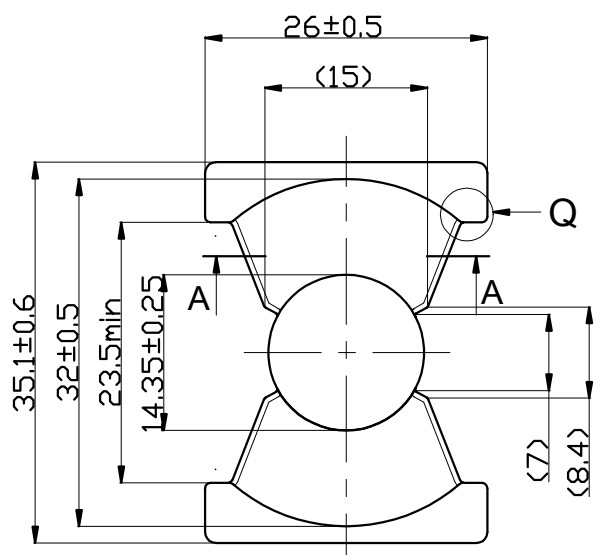
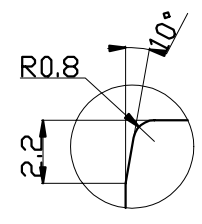


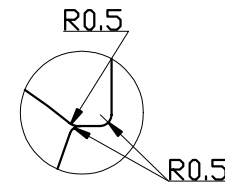
REVISION HISTORY			
Rev	DESCRIPTION	DATE	APPROVED
①			
②			
③			



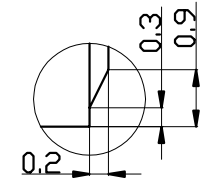
Section A-A



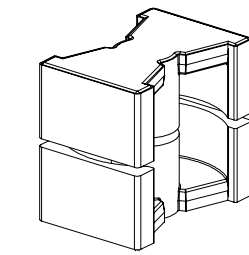
Detail K



Detail Q



Detail D



	Scale	1.5 : 1	Material	Customer Part number		
	Unit:	mm		Standard tolerances	Product Name	
		±0.2			PQ-35-35	
Approved by	Created by	Document type	Rev	Drawing No.		
Y.Higuchi	Z.zhang	Production drawing	00	PY180403M02		
Hitachi Metals (Hong kong) Ltd. Panyu Factory			Date of issue	Sheet		
			Apr 03 2018	1/1		